



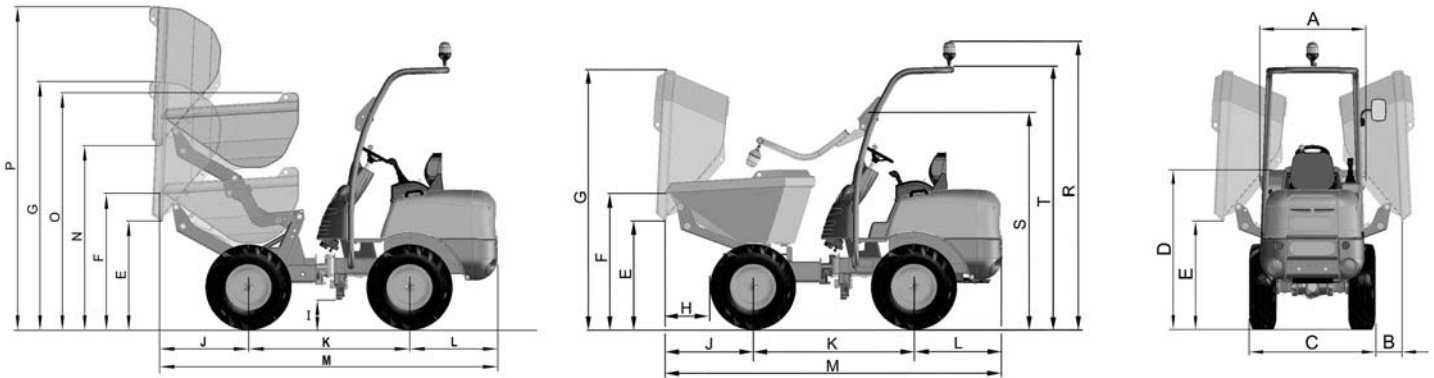
D 85 AHA
D 100 AHA
D 120 AHA

D 85 AHG
D 120 AHG
D 150 AHG



| DIMENSIONS (mm) | D 85 AHA | D 100 AHA | D 120 AHA | D 85 AHG | D 120 AHG | D 150 AHG |
|-----------------|----------|--------------|-----------|----------|-----------|-----------|
| A | 990 | 990 | 1190 | 990 | 1190 | 1391 |
| B | - | - | - | 350 | 245 | 100 |
| C | 1015 | 1215 (1125*) | 1200 | 1015 | 1200 | 1450 |
| D | 1435 | 1440 | 1485 | 1420 | 1470 | 1500 |
| E | 930 | 935 | 980 | 970 | 1020 | 1030 |
| F | 1225 | 1230 | 1275 | 1225 | 1275 | 1275 |
| G | 2230 | 2235 | 2280 | 2380 | 2430 | 2525 |
| H | 495 | 485 | 440 | 490 | 435 | 435 |
| I | 215 | 220 | 265 | 215 | 265 | 275 |
| J | 822 | 822 | 822 | 804 | 804 | 820 |
| K | 1500 | 1500 | 1500 | 1500 | 1500 | 1600 |
| L | 820 | 820 | 820 | 820 | 820 | 820 |
| M | 3142 | 3142 | 3142 | 3124 | 3124 | 3240 |
| N | 1630 | 1635 | 1680 | - | - | - |
| O | 2130 | 2135 | 2180 | - | - | - |
| P | 2930 | 2935 | 2980 | - | - | - |
| R | 2600 | 2605 | 2650 | 2600 | 2650 | 2600 |
| S | 1950 | 1955 | 2000 | 1950 | 2000 | 2015 |
| T | 2370 | 2375 | 2420 | 2370 | 2420 | 2450 |

* with optional tyres



TECHNICAL SPECIFICATIONS

| | D 85 AHA / D 100 AHA / D 120 AHA | D 85 AHG / D 120 AHG | D 150 AHG | |
|---|---|--|---|---|
| Load capacity (Kg) | 850 / 1000 / 1200 | 850 / 1000 / 1200 | 1500 | |
| Unloading system | Hydraulic tipping. | Hydraulic, 180° rotating. | Hydraulic, 180° rotating. | |
| Chassis | Articulated +/- 35° and oscillating +/- 13°. | | | |
| Hopper capacities (l) | Water Levelled Heaped | 345 / 345 / 425 395 / 395 / 515 505 / 505 / 680 | 325 / 415 390 / 495 510 / 670 | 520 626 835 |
| Engine | Diesel Power acc./SAE J 1995 (KW/HP) N° of Cylinders Cooling system | Kubota D1105 22,8 / 16,8 3 Water | Kubota D1105 22,8 / 16,8 3 Water | Kubota D1105 22,8 / 16,8 3 Water |
| Traction | 4 x 4 permanent | | | |
| Transmission | Hydrostatic with variable flow pump and automatic regulation. Forward and reverse control on the joystick. | | | |
| Engine starting system | Electric | | | |
| Speed (max.) (Km/h) | 14 / 15 / 17 | 14 / 17 | 17 | |
| Axles | Axles with planetary wheel reduction | | | |
| Unladen weight (Kg) | 1300 / 1300 / 1375 | 1300 / 1375 | 1510 | |
| Gradient negotiable (with full load) | 43% / 38% / 48% | 43% / 48% | 40% | |
| Hydraulic circuit | Gear pump of 8 cc. Working pressure 170 bar. | | | |
| Tyres | Standard Optional (D100AHA-AHG) | 7.00-12" / 11.0/65-12 / 10.0/75-15.3" - / 27x8.50-15" / - | 7.00-12" / 10.0/75-15.3" - / 27x8.50-15" / - | 10.0/75-15.3" - |
| External turning circle (mm) | 3060 | | | |
| Steering | Hydraulic | | | |
| Tank capacity (l) | Fuel Hydraulic fluid | 23 21.2 | 23 21.2 | 23 21.2 |
| Service and parking brake | Sealed oil-immersed, multidisc, mechanically operated | | | |

STANDARD EQUIPMENT

| |
|--------------------|
| Anti vandal system |
| Ergonomic seat |
| Seat belt |
| Joystick |
| ROPS |
| Rotating beacon |
| Rear view mirror |

OPTIONAL EQUIPMENT

| |
|-----------------------------------|
| FOPS overhead guard |
| Lighting equipment |
| Audible reverse warning (Std. UK) |